

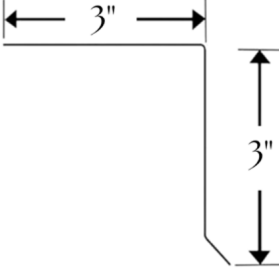

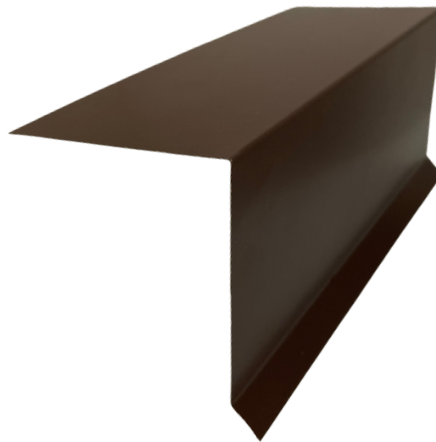
 WWW.FRANKLINSOUTHERN.COM
 SALES@FRANKLINSOUTHERN.COM
 904.551.7150

90° - DRIP EDGE

ROOFING ACCESORIES

METAL	STYLE	NOM SIZE*		REF.
GALVALUME STEEL 26 GAUGE	90° ROOF EDGE	3" x 3"		
ALUMINUM				



FSM CODE	METAL / GAUGE	STYLE	COLOR	NOM SIZE	WARRANTY
FS90RE32BL	GALVALUME STEEL – 26G	90°	BLACK	3" x 3"	25 YEARS
FS90RE32WH	GALVALUME STEEL – 26G	90°	WHITE	3" x 3"	25 YEARS
FS90RE32BR	GALVALUME STEEL – 26G	90°	BROWN	3" x 3"	25 YEARS
FS90RE32MB	GALVALUME STEEL – 26G	90°	MUSKET BROWN	3" x 3"	25 YEARS
FS90REPA32BL	PREMIUM ALUMINUM	90°	BLACK	3" x 3"	20 YEARS
FS90REPA32WH	PREMIUM ALUMINUM	90°	WHITE	3" x 3"	20 YEARS
FS90REPA32BR	PREMIUM ALUMINUM	90°	BROWN	3" x 3"	20 YEARS
FS90REPA32MB	PREMIUM ALUMINUM	90°	MUSKET BROWN	3" x 3"	20 YEARS
FS90RESA32BL	STD ALUMINUM	90°	BLACK	3" x 3"	20 YEARS
FS90RESA32WH	STD ALUMINUM	90°	WHITE	3" x 3"	20 YEARS
FS90RESA32BR	STD ALUMINUM	90°	BROWN	3" x 3"	20 YEARS
FS90RESA32MB	STD ALUMINUM	90°	MUSKET BROWN	3" x 3"	20 YEARS

FINAL PRICE CHANGES ACCORDING TO THE PACKAGING.
 GALVALUME STEEL UP TO FLORIDA BUILDING CODE FBC ABOVE 0.0195"
 DISCLAIMER*: SELECT PRODUCTS MAY BE ADVERTISED IN NOMINAL SIZES.